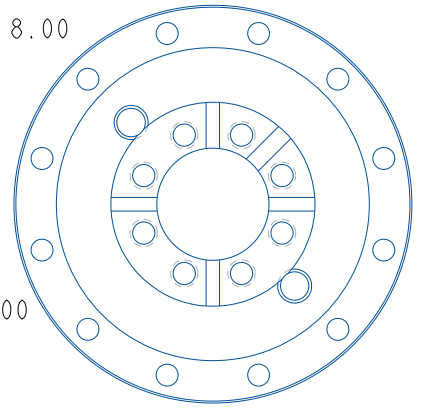
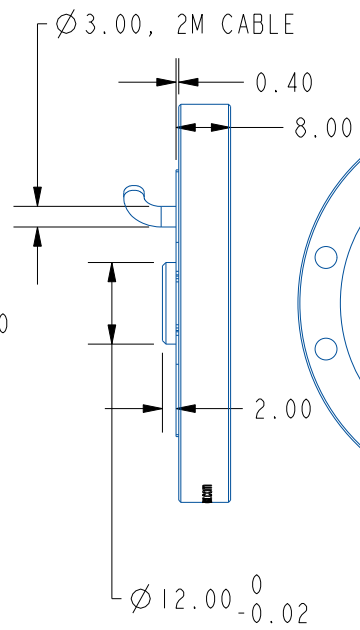
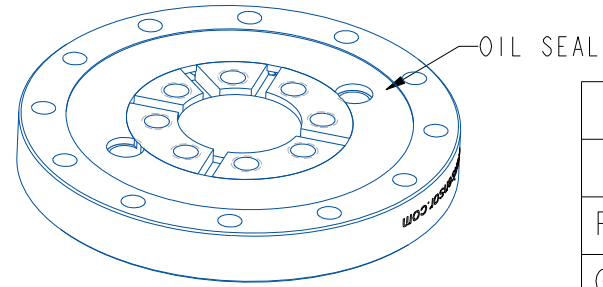


USE THESE SCREW HOLES WHEN 8X4 ARE INSUFFICIENT

12X \varnothing 3.20 THRU \perp \varnothing 5.70 ∇ 3.2 EQUAL SPACE, FOR LHD-17



NOTE: THE OVERLOAD CAPACITIES FOR BENDING MOMENT, AXIAL AND RADIAL FORCE EXCEED 300% OF THOSE USED FOR CROSSTALK MEASUREMENT



SPECIFICATIONS	
CAPACITY (Nm)	50
OVERLOAD CAPACITY (%F.S.)	300
OUTPUT @ F.S. (V), AFTER AMPLIFIER	2.5 \pm 2
POWER SUPPLY (V)	5V
BRIDGE RESISTANCE (Ω) NOMINAL	350
NON-LINEARITY (%F.S.)	0.5
HYSTERESIS (%F.S.)	1.0
OPERATING TEMP. RANGE ($^{\circ}$ C)	-20 TO +100
CROSSTALK (%F.S.)	1.0
AXIAL FORCE FOR CROSSTALK (N)	250
RADIAL FORCE FOR CROSSTALK (N)	250
BENDING MOMENT FOR CROSSTALK (Nm)	25
TORSION ANGLE (CALCULATED)	0.04 $^{\circ}$
TORSIONAL STIFFNESS (KNm/RAD)	80
MASS (KG)	0.04

WIRING CODE	
COLOR	FUNCTION
RED	+EX
GREEN	+SIG
BLACK	GND
BROWN	-SIG

SUNRISE INSTRUMENTS
www.srisensor.com

SINGLE AXIS TORQUE SENSOR
D58.5MM, 50Nm, LIGHT WEIGHT, FOR LHD-17

UNLESS OTHERWISE SPECIFIED DIMENSIONS ARE IN MM	M2211C	REV. A
--	--------	-----------