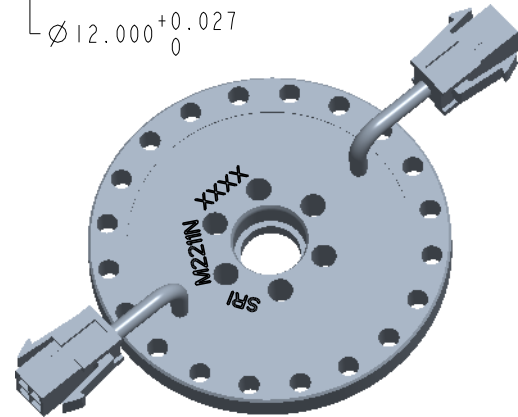


NOTE: THE OVERLOAD CAPACITIES FOR BENDING MOMENT, AXIAL AND RADIAL FORCE EXCEED 300% OF THOSE USED FOR CROSSTALK MEASUREMENT

AWG#30 SINGLE WIRES
 TWISTED FOR SIGNALS
 CONNECTOR PLUG 43020-0400
 WITH CONTACT 43031-0005
 CABLE LENGTH 245±15

SPECIFICATIONS

CAPACITY (Nm)	80
OVERLOAD CAPACITY (%F.S.)	300
DIFFERENTIAL OUTPUT @ F.S. (V)	2.5±2
POWER SUPPLY (V)	5V
BRIDGE RESISTANCE (Ω) NOMINAL	700
NON-LINEARITY (%F.S.)	0.5
HYSTERESIS (%F.S.)	1.0
OPERATING TEMP. RANGE (°C)	-20 TO +85
CROSSTALK (%F.S.)	1.0
AXIAL FORCE FOR CROSSTALK (N)	500
RADIAL FORCE FOR CROSSTALK (N)	500
BENDING MOMENT FOR CROSSTALK (Nm)	10
TORSION ANGLE (CALCULATED)	0.05°
TORSIONAL STIFFNESS (KNm/RAD)	102
BENDING STIFFNESS (kNm/RAD)	14
MASS (KG)	0.1



WIRING CODE - BOTH CHNS	
COLOR	FUNCTION
RED	+EX
GREEN	+SIG
BLACK	GND
BROWN	-SIG

SUNRISE INSTRUMENTS
www.srisensor.com

DUAL CHANNEL TORQUE LOADCELL
 D60MM, 80 Nm

UNLESS OTHERWISE SPECIFIED DIMENSIONS ARE IN MM	M221IN	REV. 0.2
--	--------	-------------